

Cleaning & Maintenance

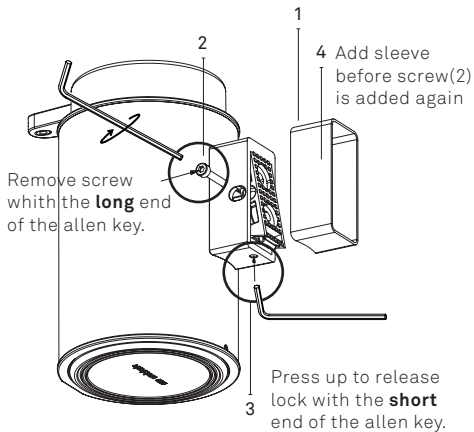
Always spray detergents on a cloth and not directly on the product, and rinse the surface thoroughly with water afterwards. Residues from basic detergents that are not washed off with water may cause damage to the surface. Do not use detergents containing strong acids or chemicals such as iodine, chlorine, fluorine, bromine and hydrogen peroxides. These chemicals can cause damage to the protective layer of the product.

For maintenance we recommend using a gentle care product for stainless steel. Always rub brushed steel in the direction of the brush lines.

MOUNTING & USER INSTRUCTIONS

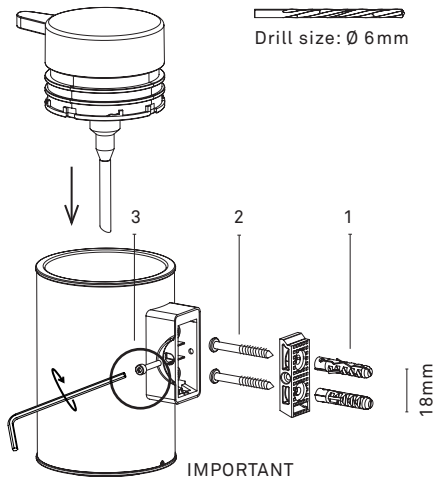
SOAP DISPENSER WALL MOUNTED

① DISSAMBLY



Bit torx 20

② ASSEMBLY



IMPORTANT

We recommended to use the **long** end of the allen key to avoid the risk of bending the soap dispenser by tightening the screws too much.

③ REFILL

